

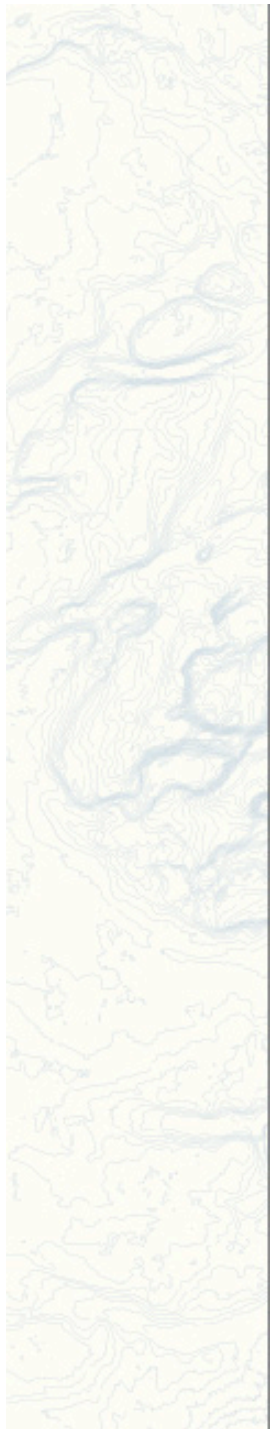


GeoServer: Past, Present, Future

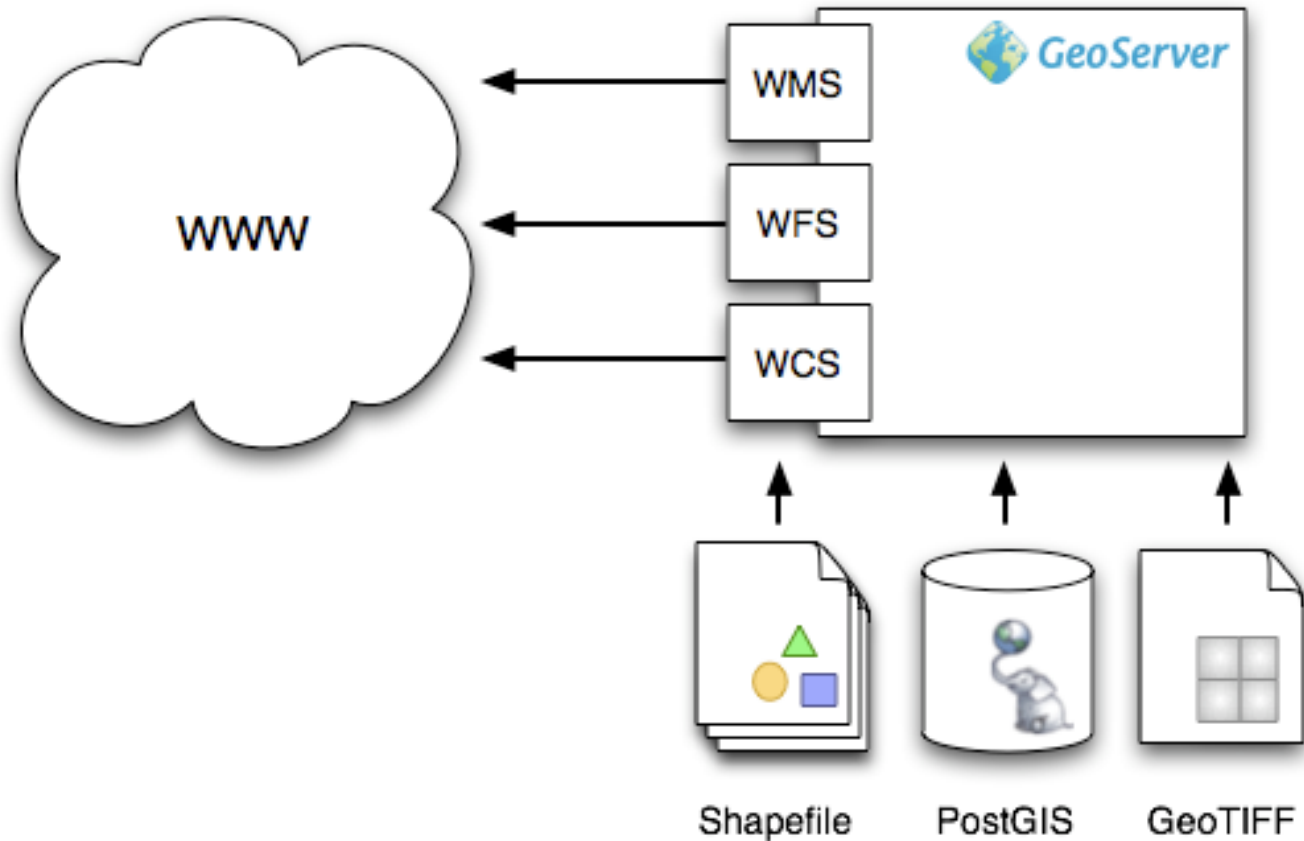
Justin Deoliveira

What is GeoServer?

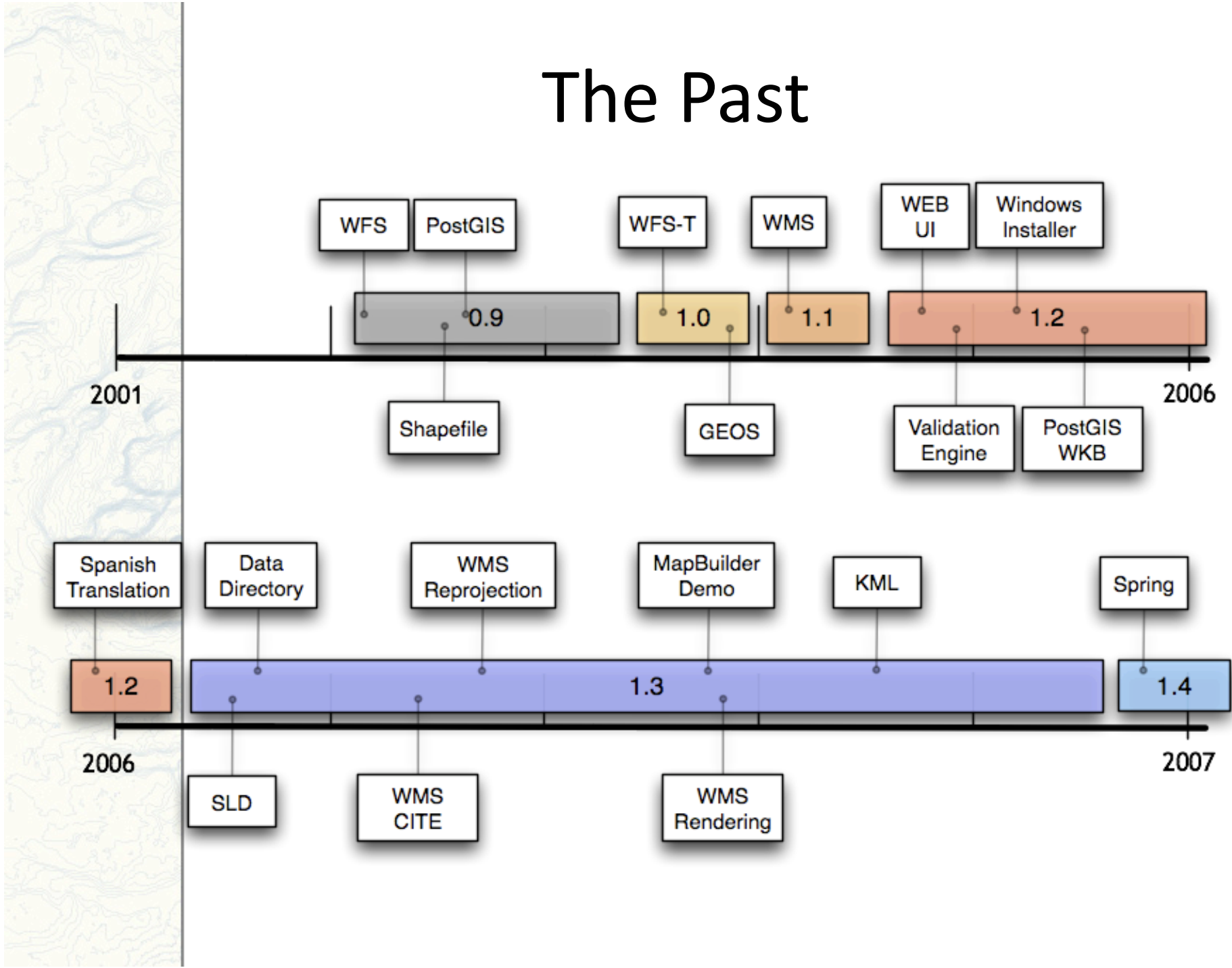
- Geospatial Web Server
 - vector and raster data
- Open standards
 - WFS
 - WMS
 - WCS
- Gateway to the “GeoWeb”



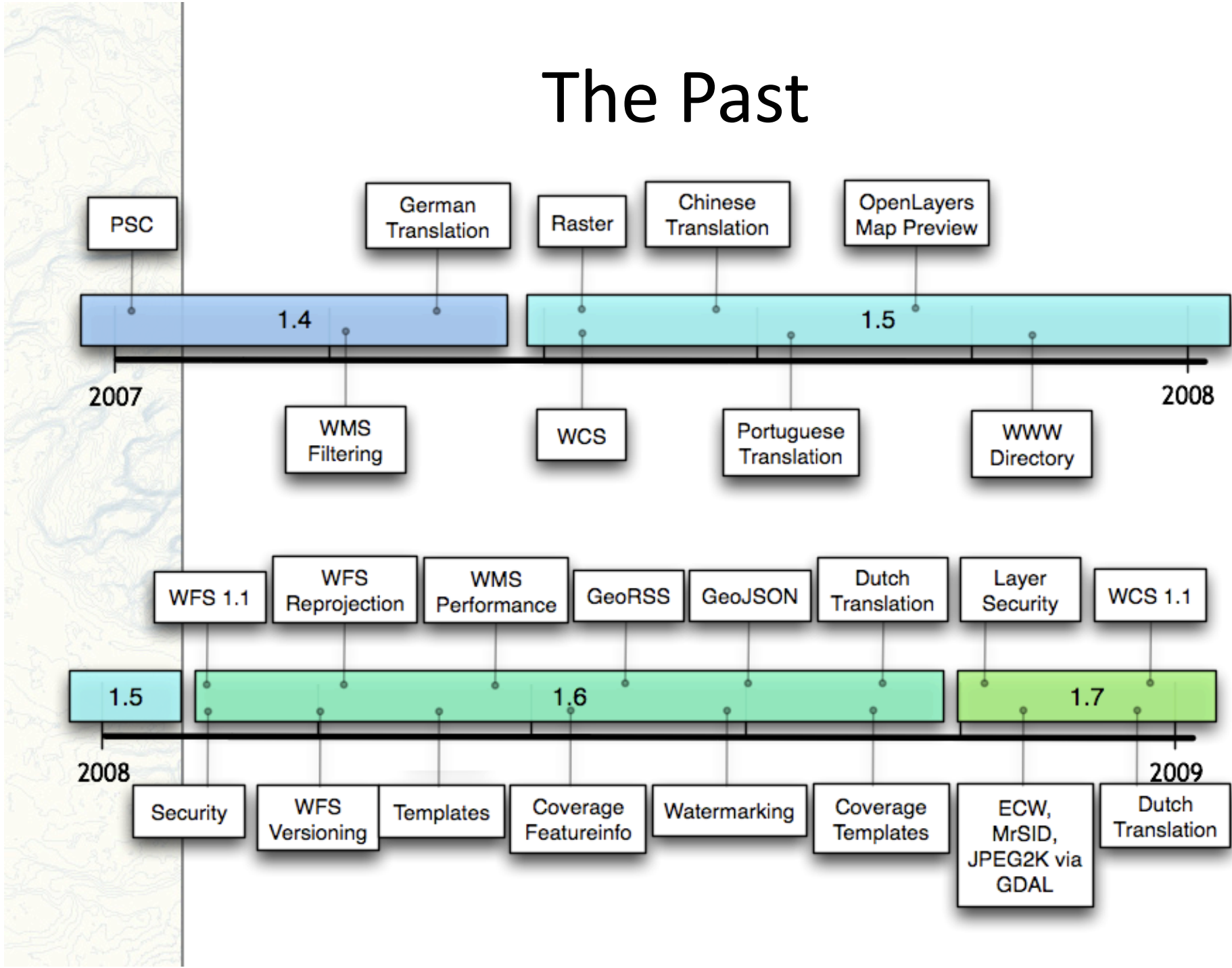
What is GeoServer?



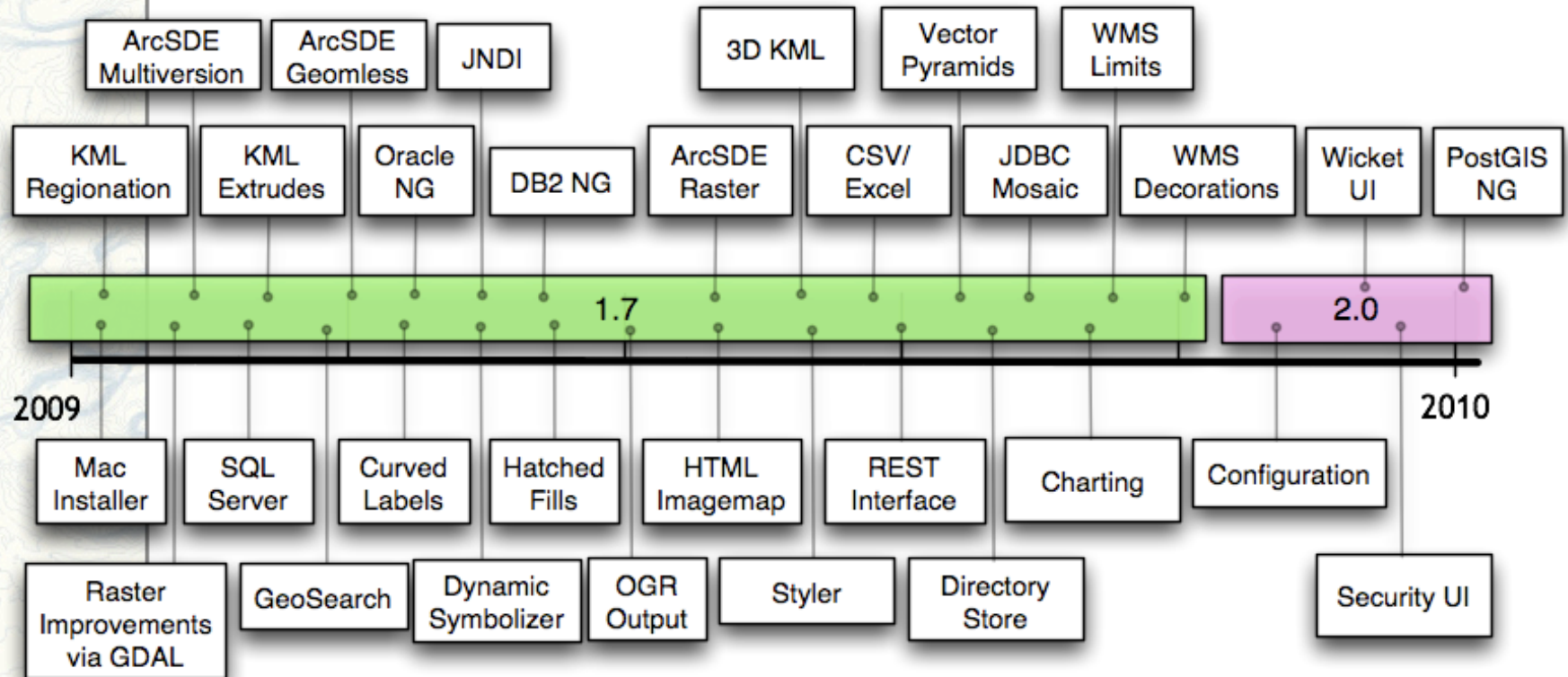
The Past



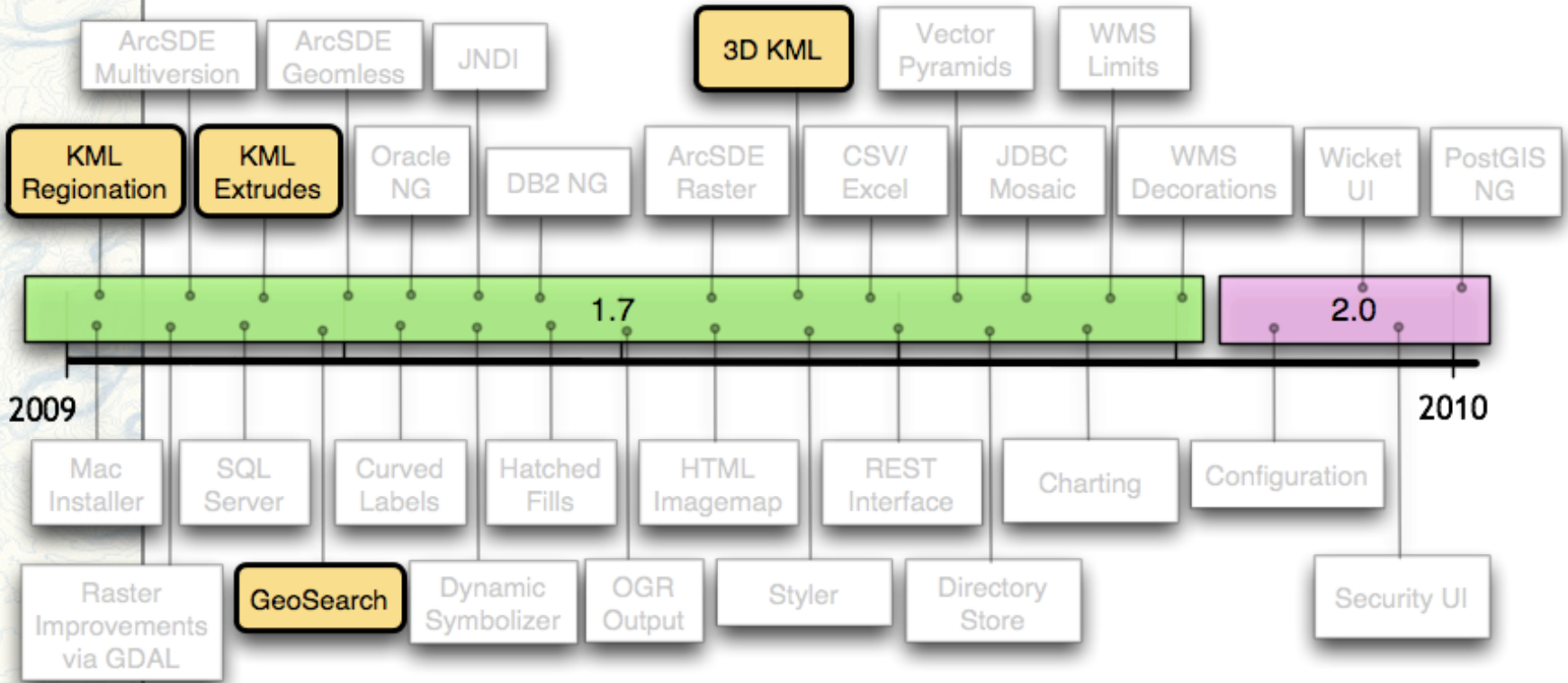
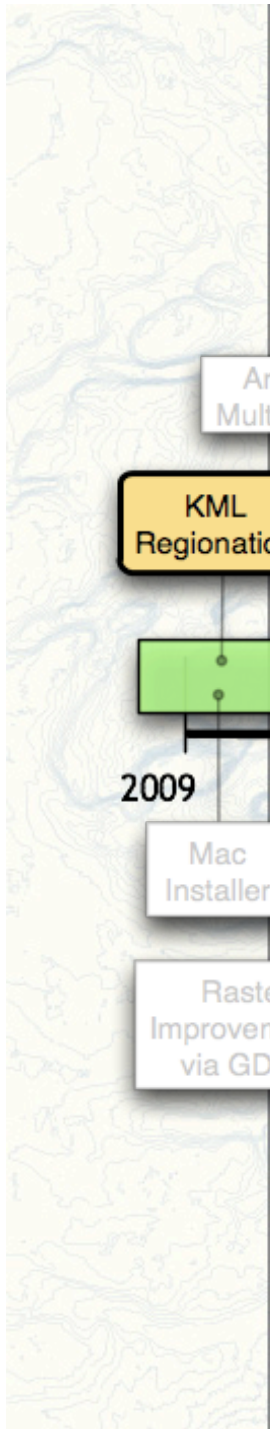
The Past



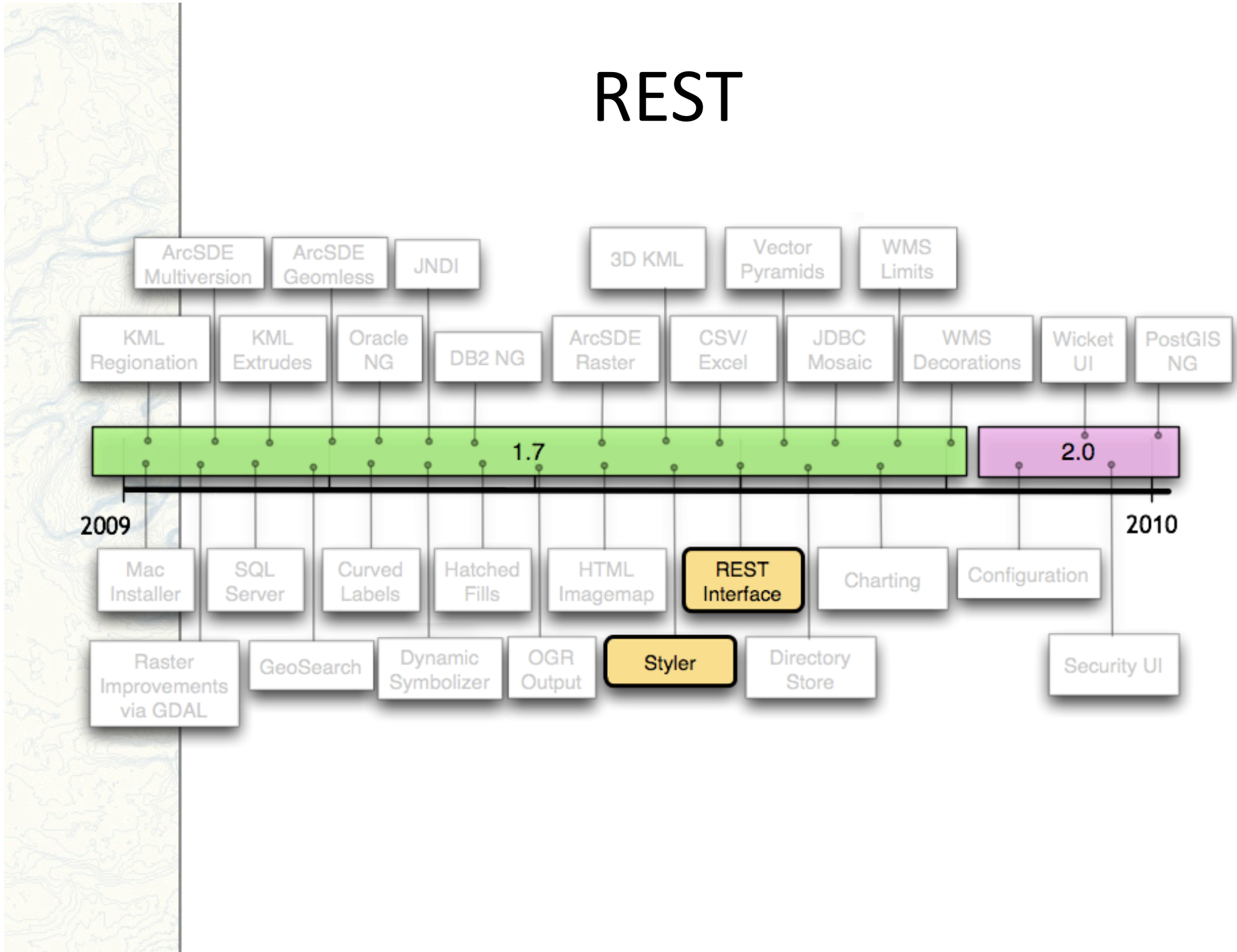
The Present



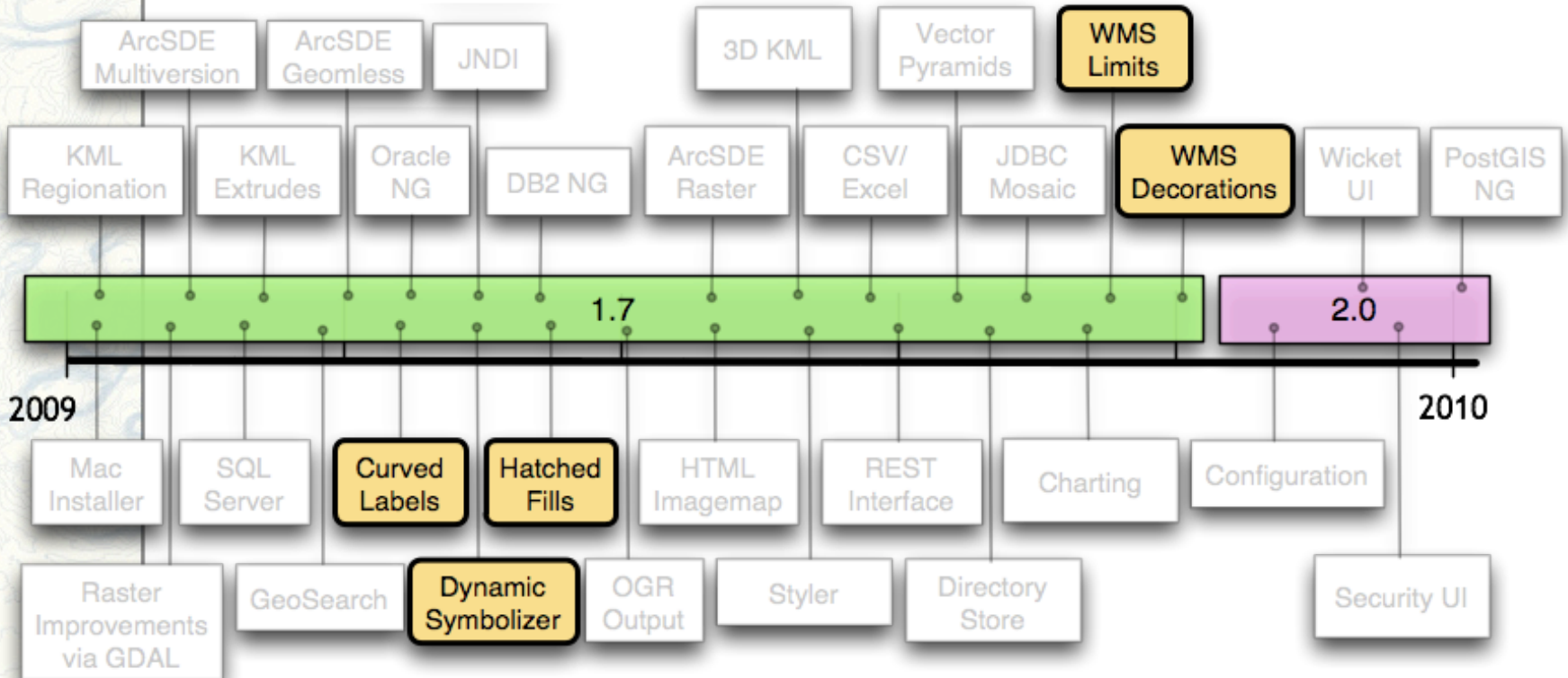
KML



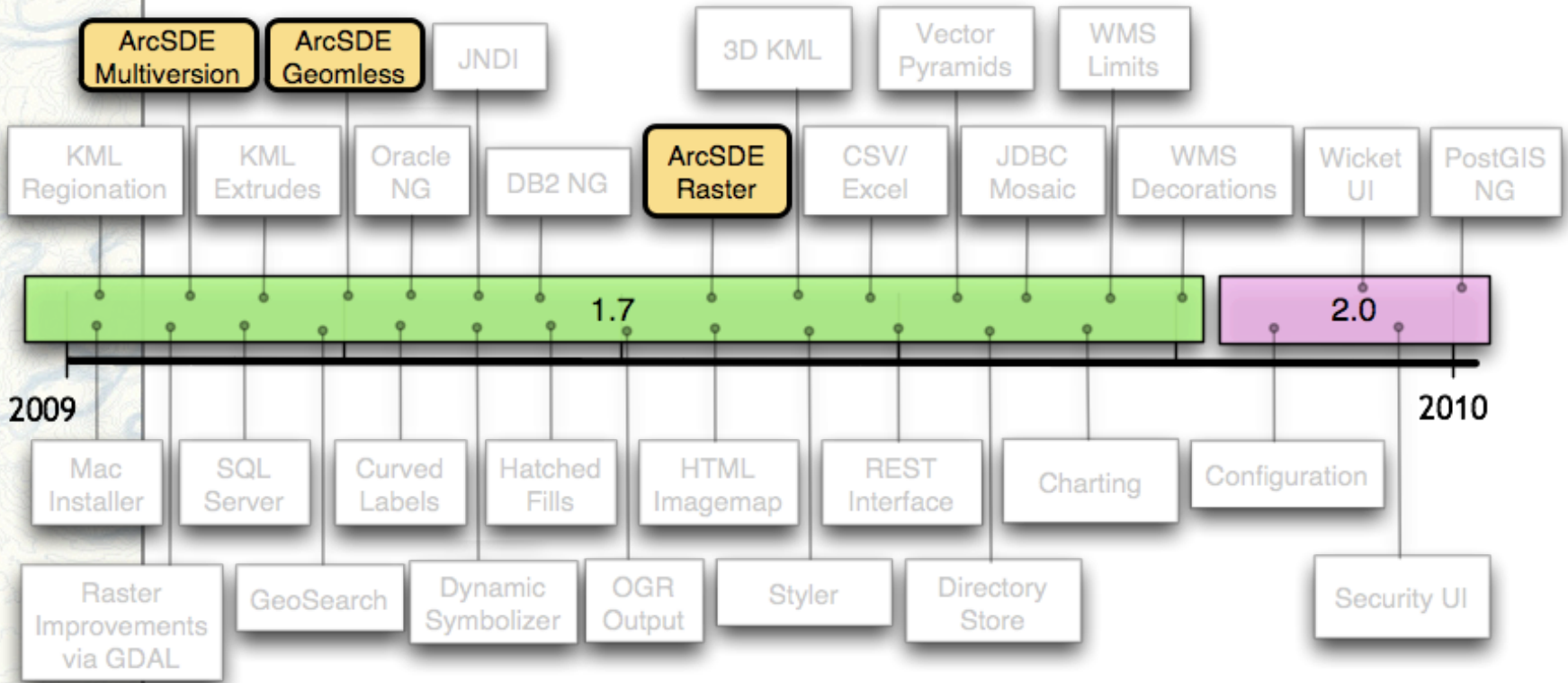
REST



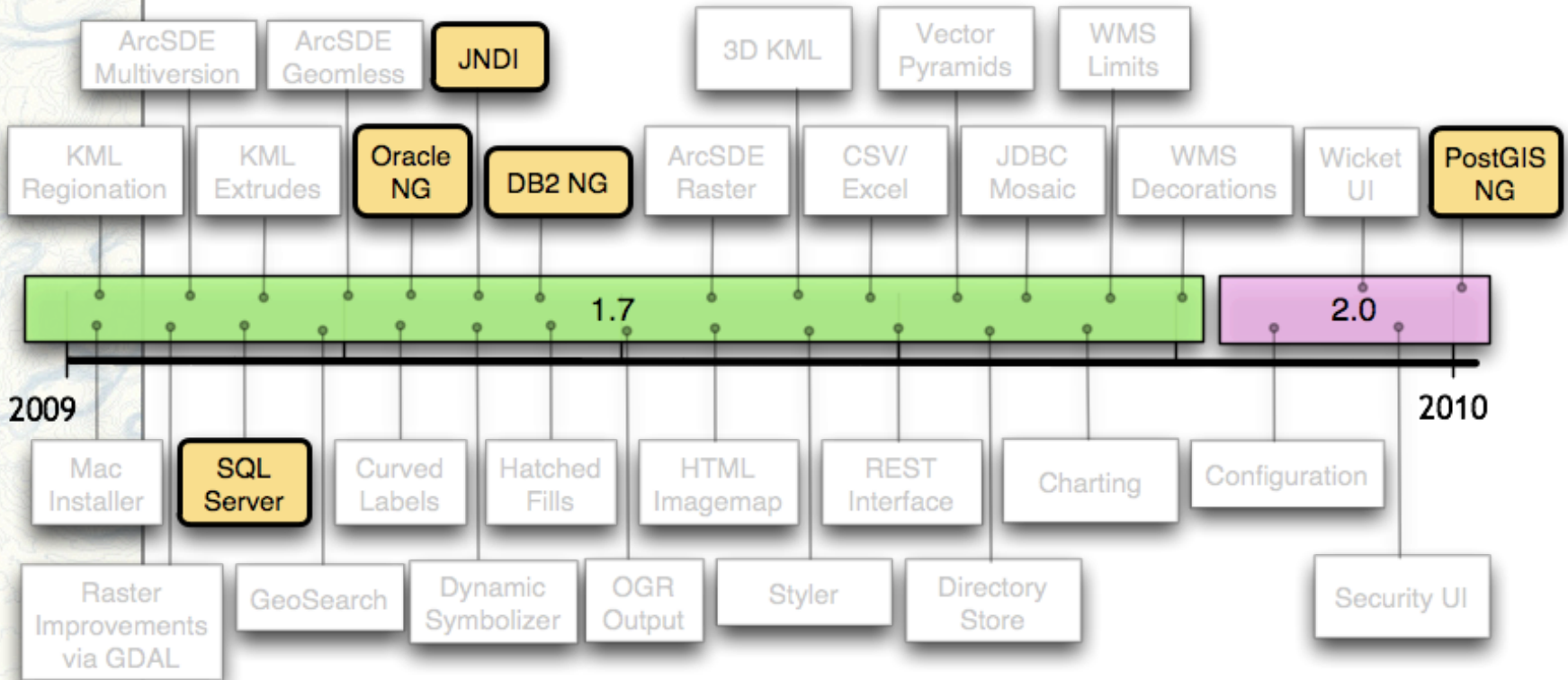
Rendering



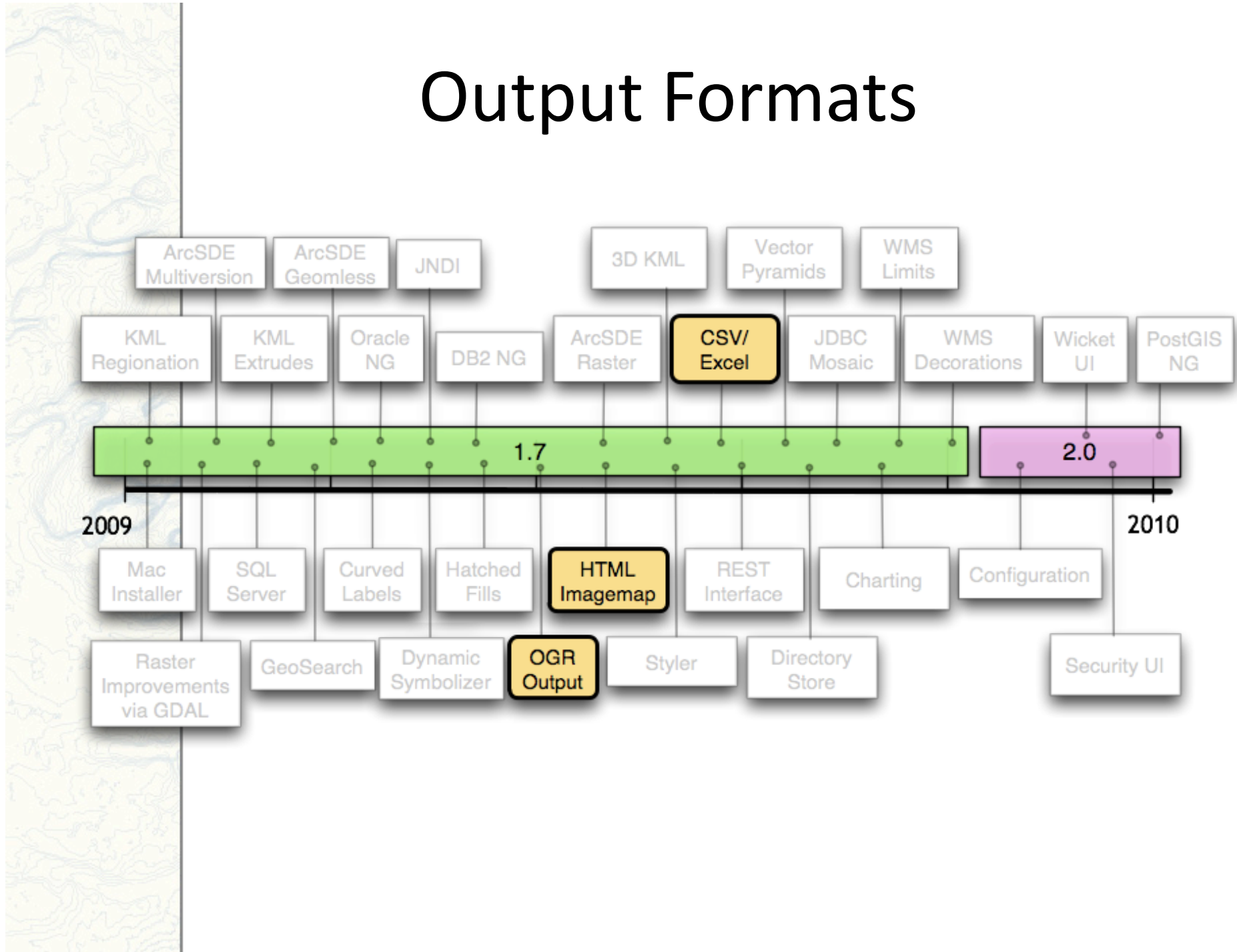
ArcSDE



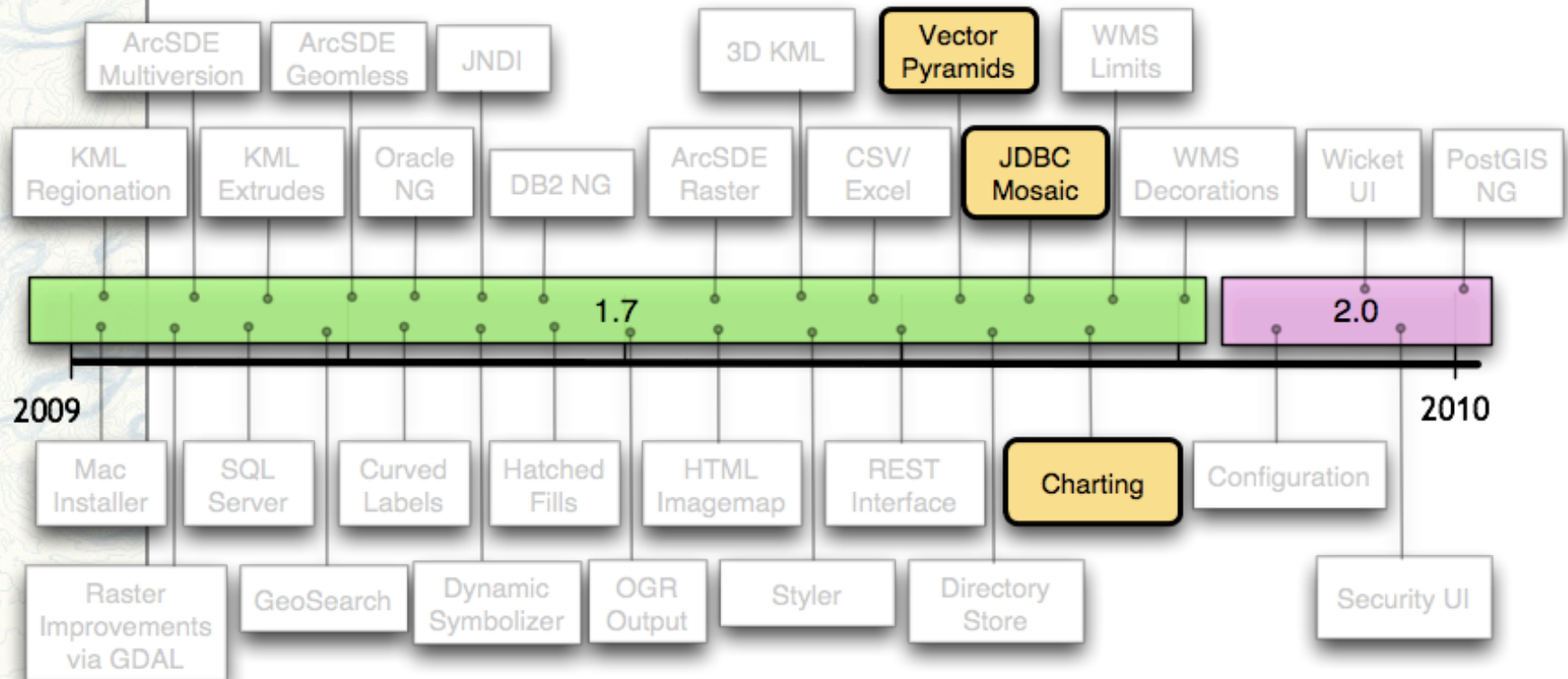
Databases



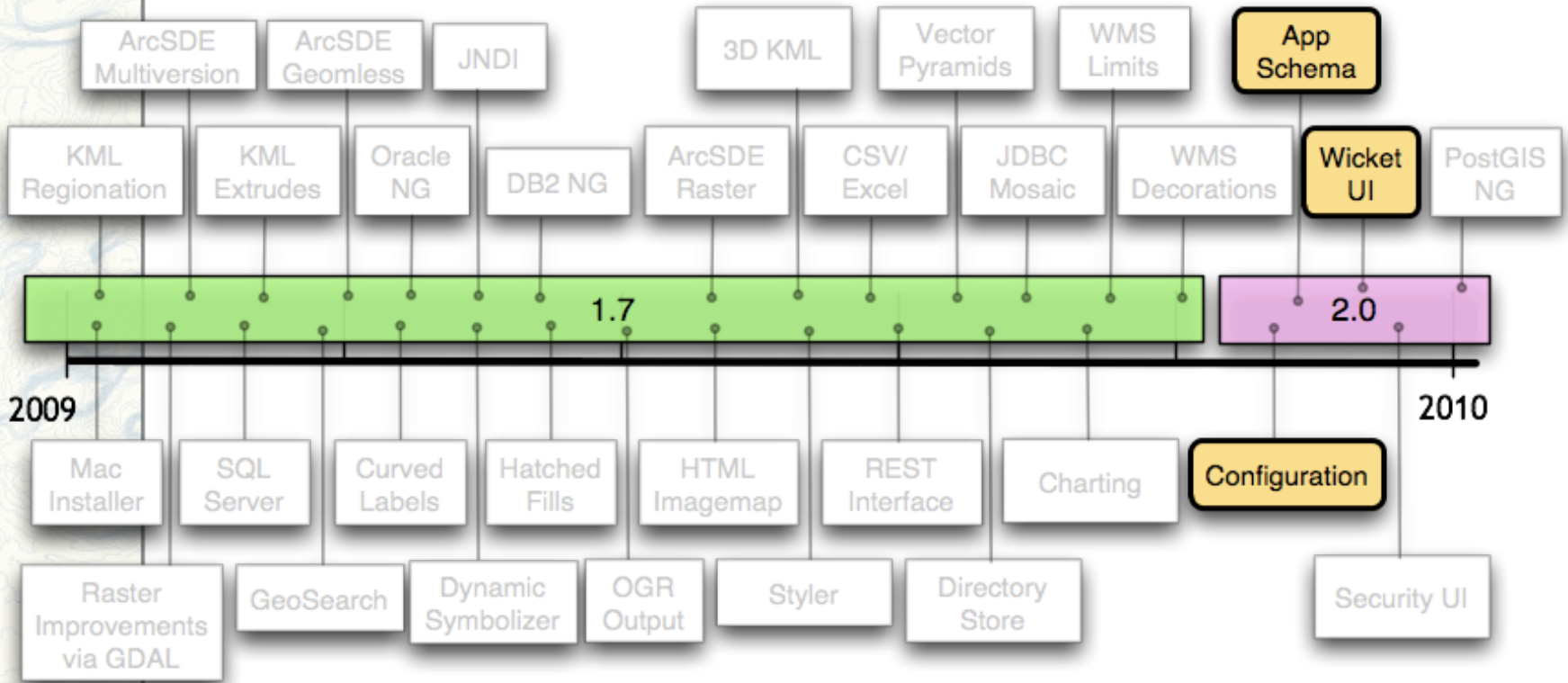
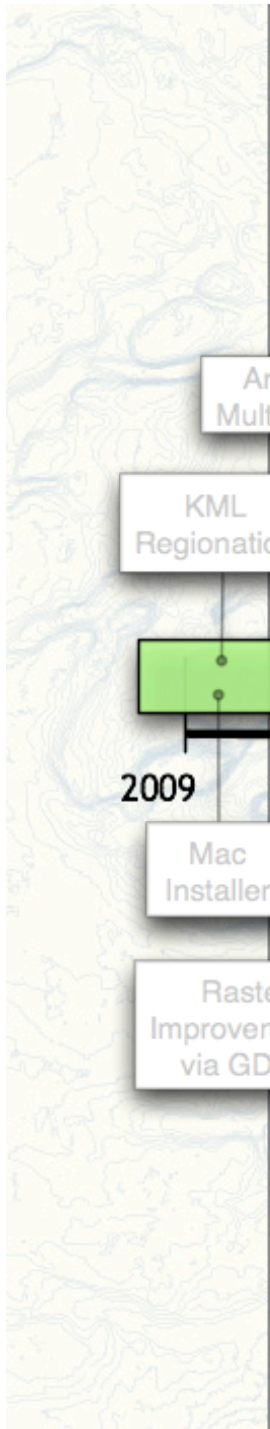
Output Formats



Extensions



2.0



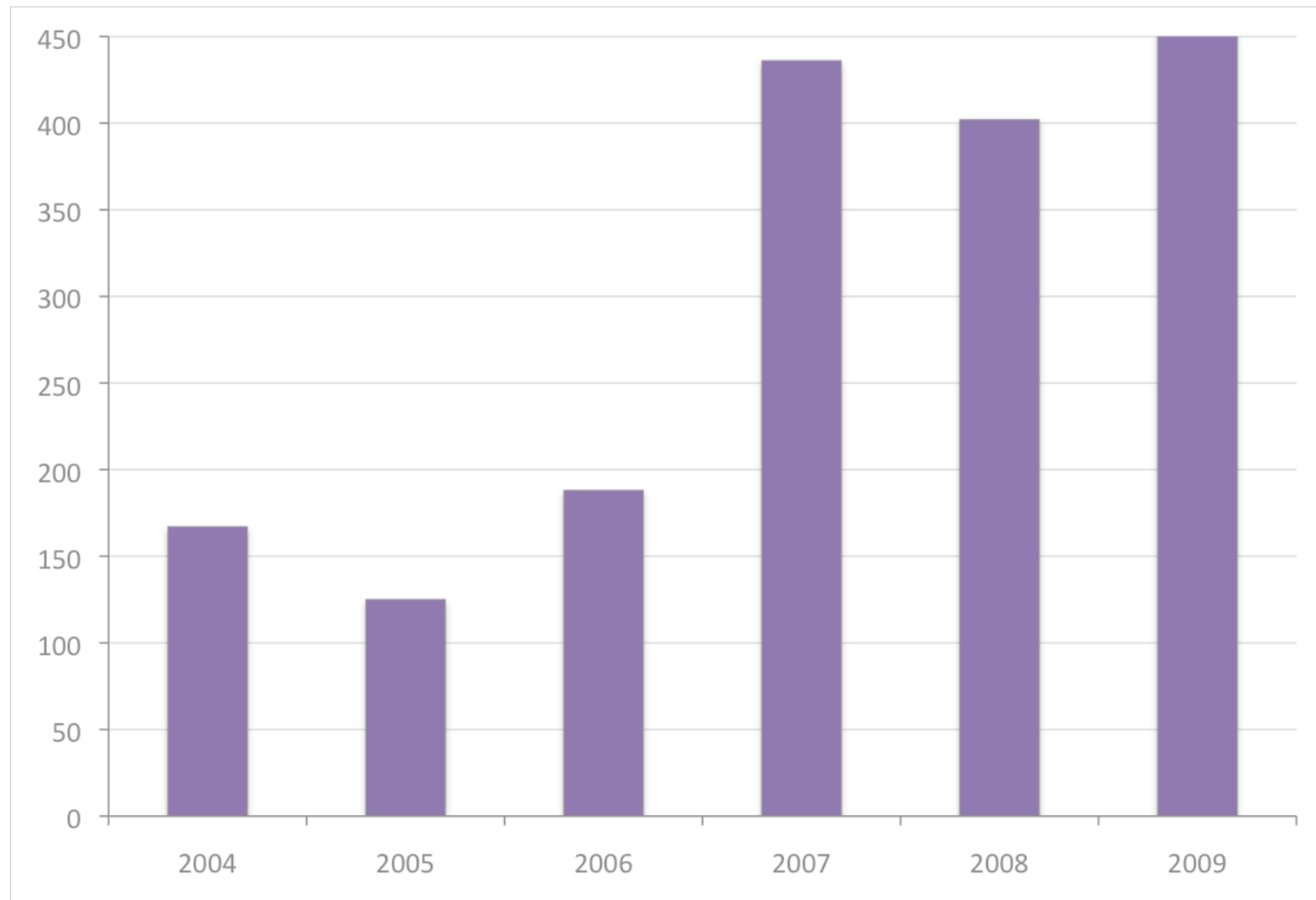


The Year in Review

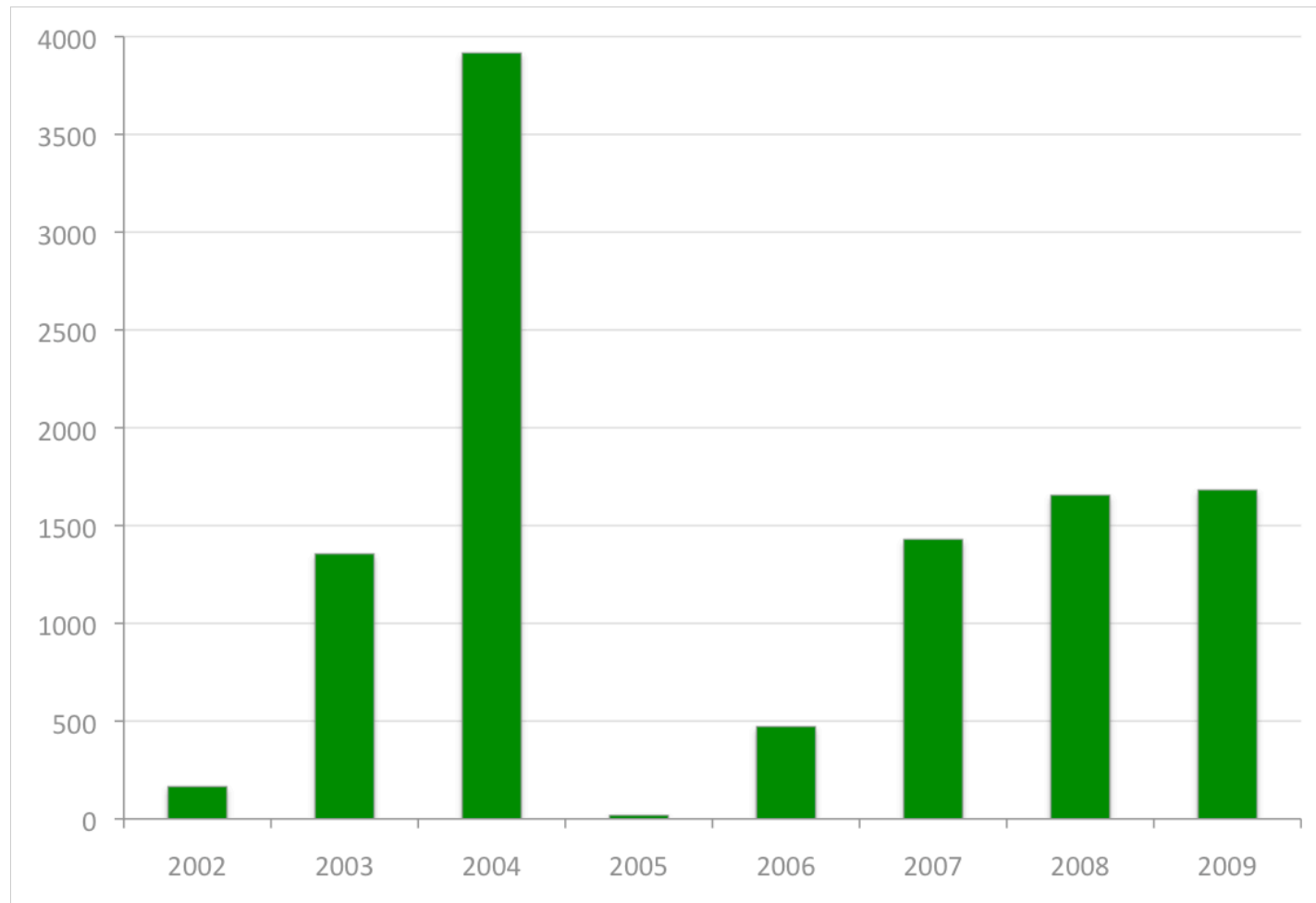
- 489 bug fixes
- 1682 commits
- 7 releases

* Without October, November, December

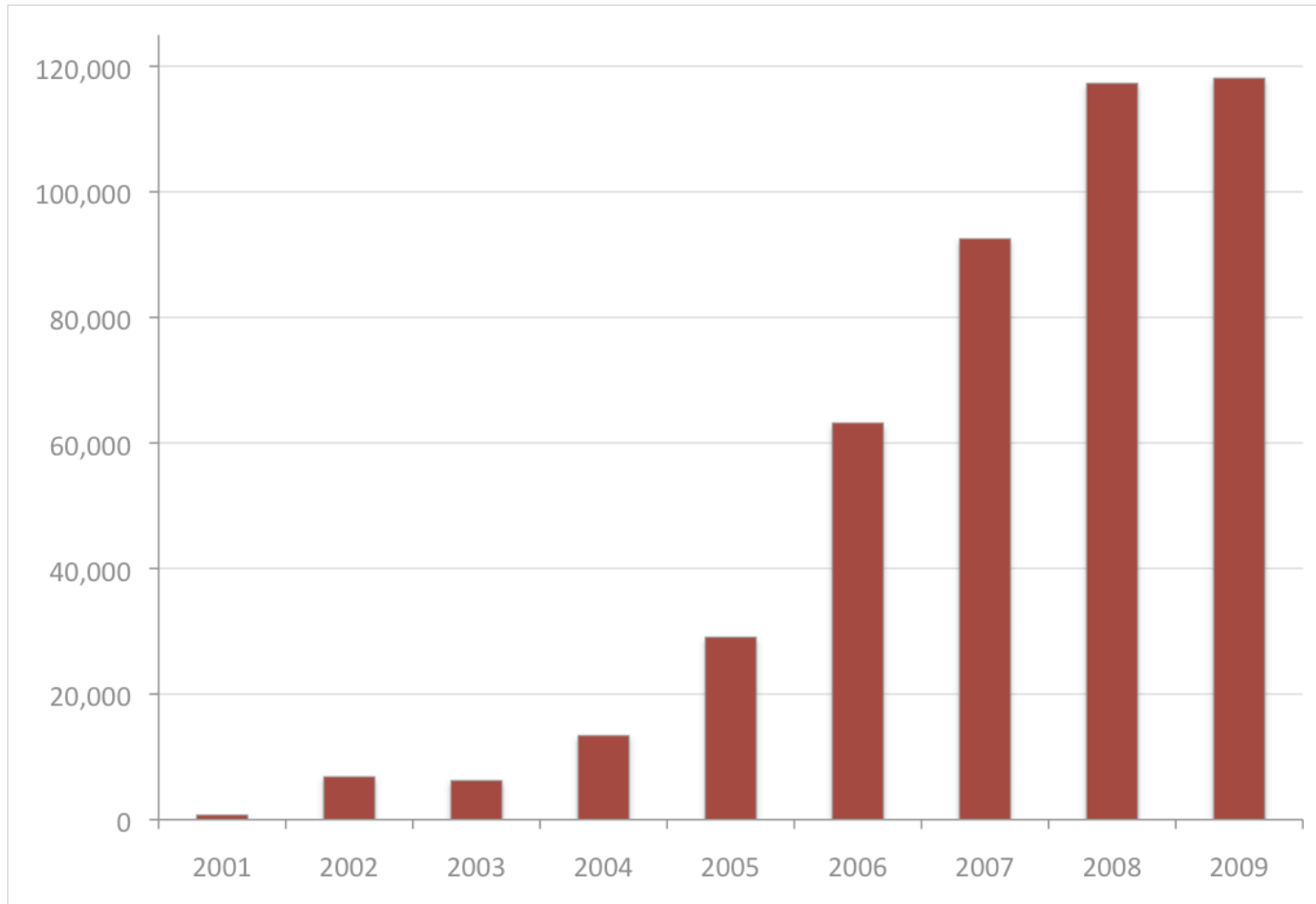
Bug Fixes



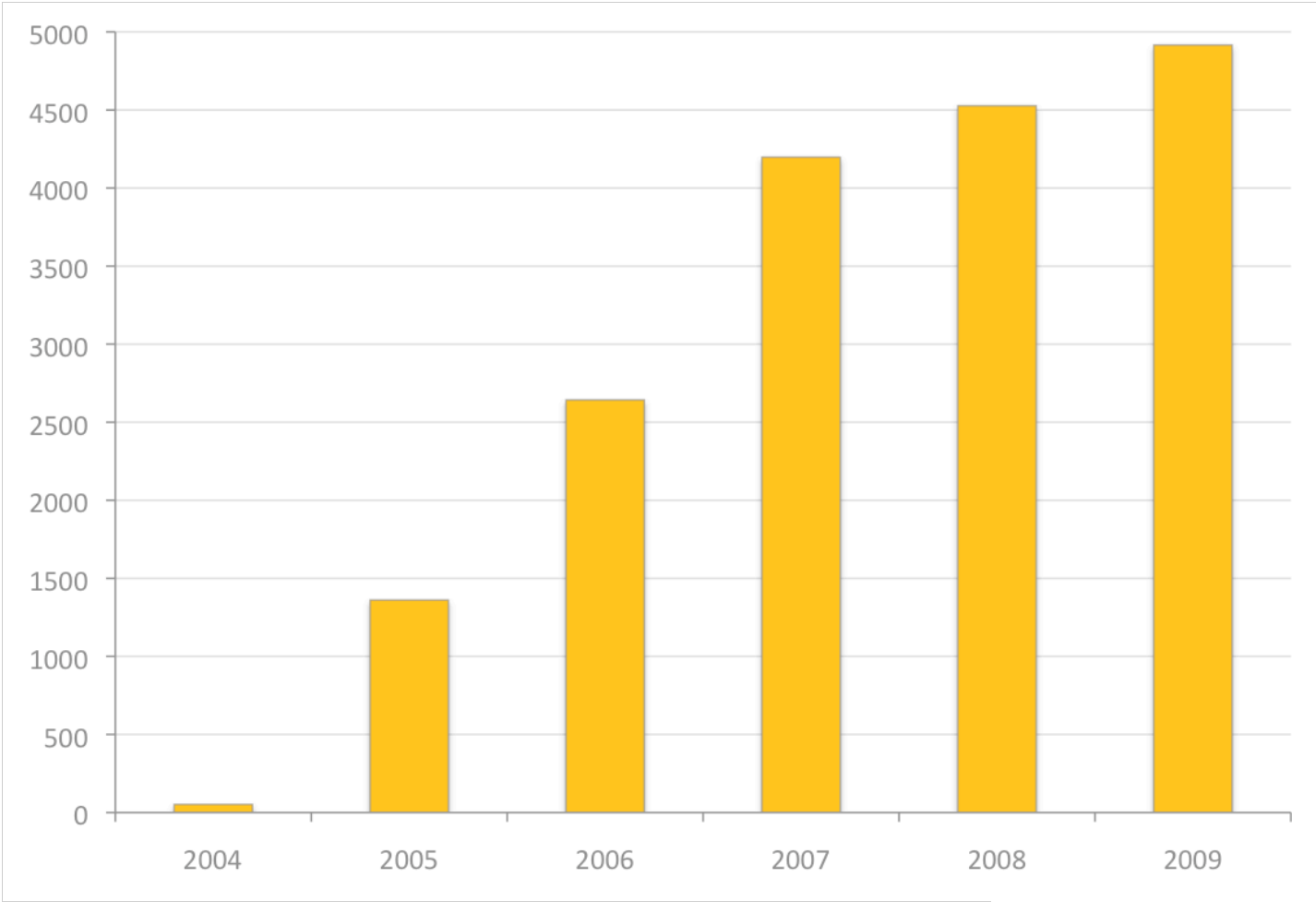
Commits



Downloads



Mailing List Traffic



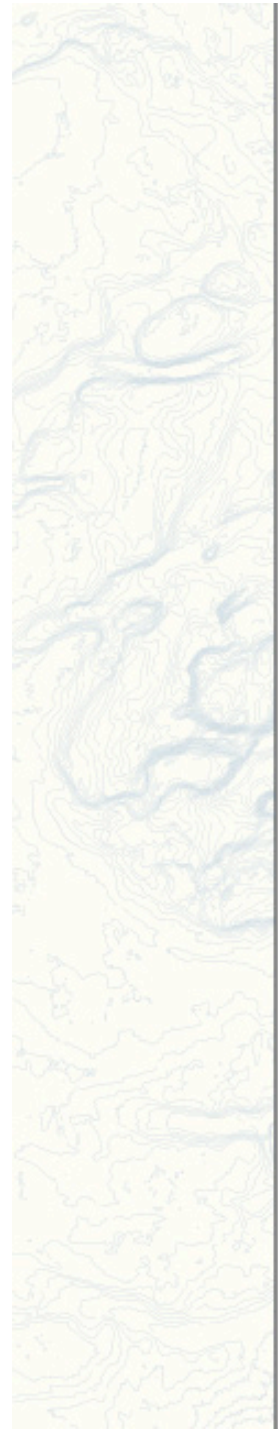


GeoServer International

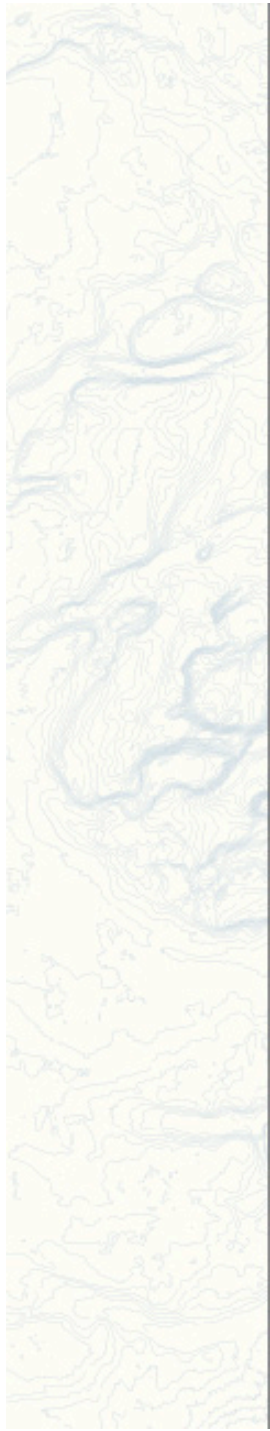
- English – 987 members
- Brazilian – 300 members
- Chinese – 282 members
- Italian – 54 members
- Spanish – 53 members



...



2.0!



New UI

- Ajax
- ~~Submit Apply Save~~
- Extensible

Coordinate Reference Systems

Native SRS
Declared SRS

SRS handling

Select a coordinate system. Use the s

Code	Description
3005	NAD83 / BC Albers

Results 1 to 1

Layers

Manage the layers being published by GeoServer

+ Add a new resource
- Remove selected resources

Results 1 to 1 (out of 1 matches from 11 items)

Type	Workspace	Store	Layer Name	Enabled?
<input type="checkbox"/>	medford	Medford	streets	<input checked="" type="checkbox"/>

Results 1 to 1 (out of 1 matches from 11 items)

Security UI



- Users and roles
- Data security
- Service security

Security

-  Users
-  Data security
-  Service security
-  Catalog security

Username

Password

Confirm password

Role list

Available

ROLE_ADMINISTRATOR

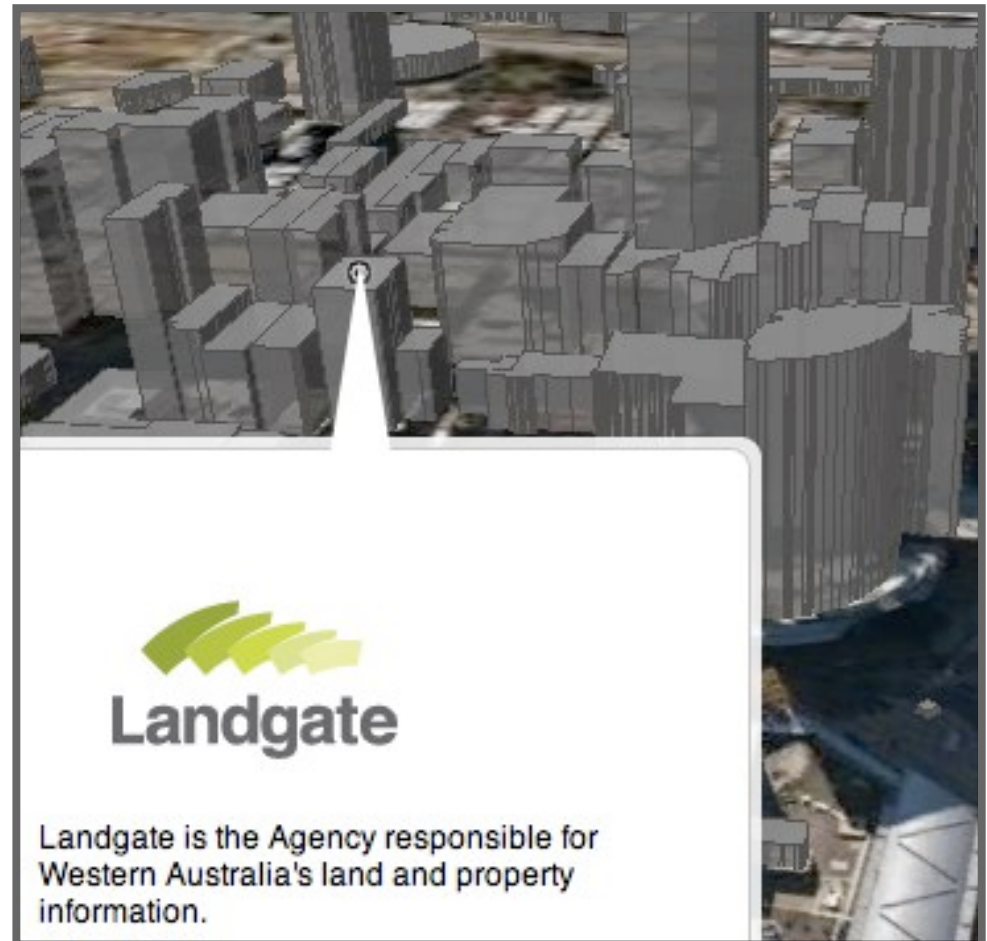
Application Schemas

- Complex feature schemas
- Feature chaining



KML

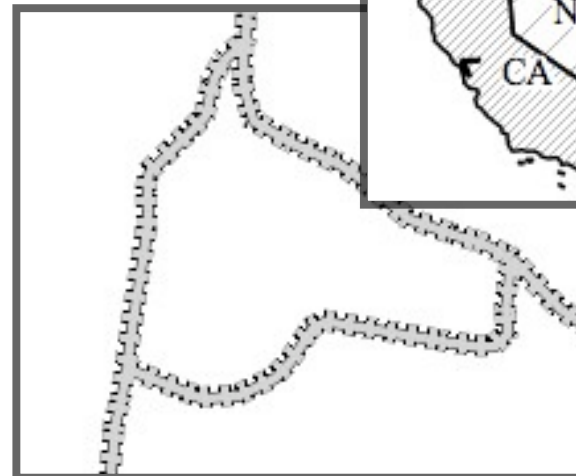
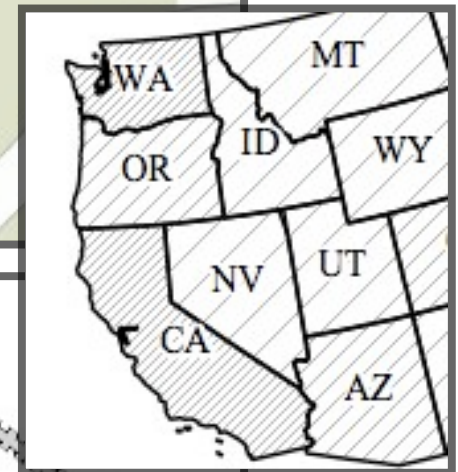
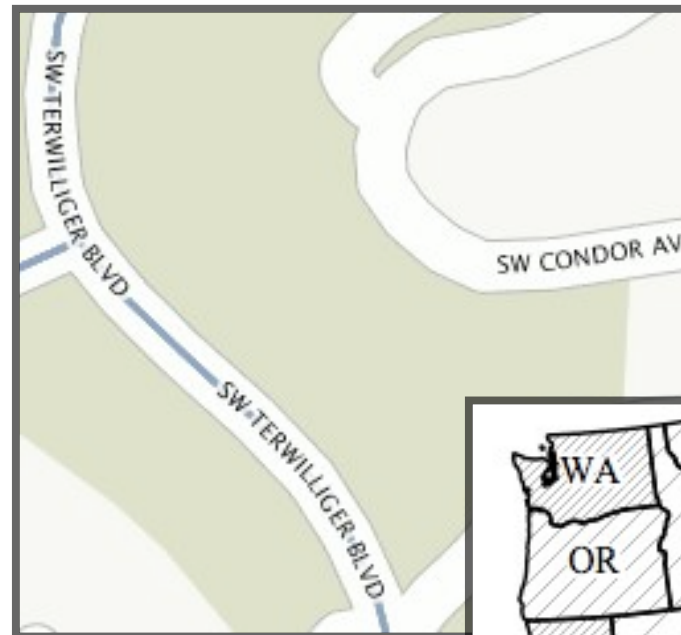
- Super Overlays
- Geo Search
- Extrudes
- Partial 3D



Rendering

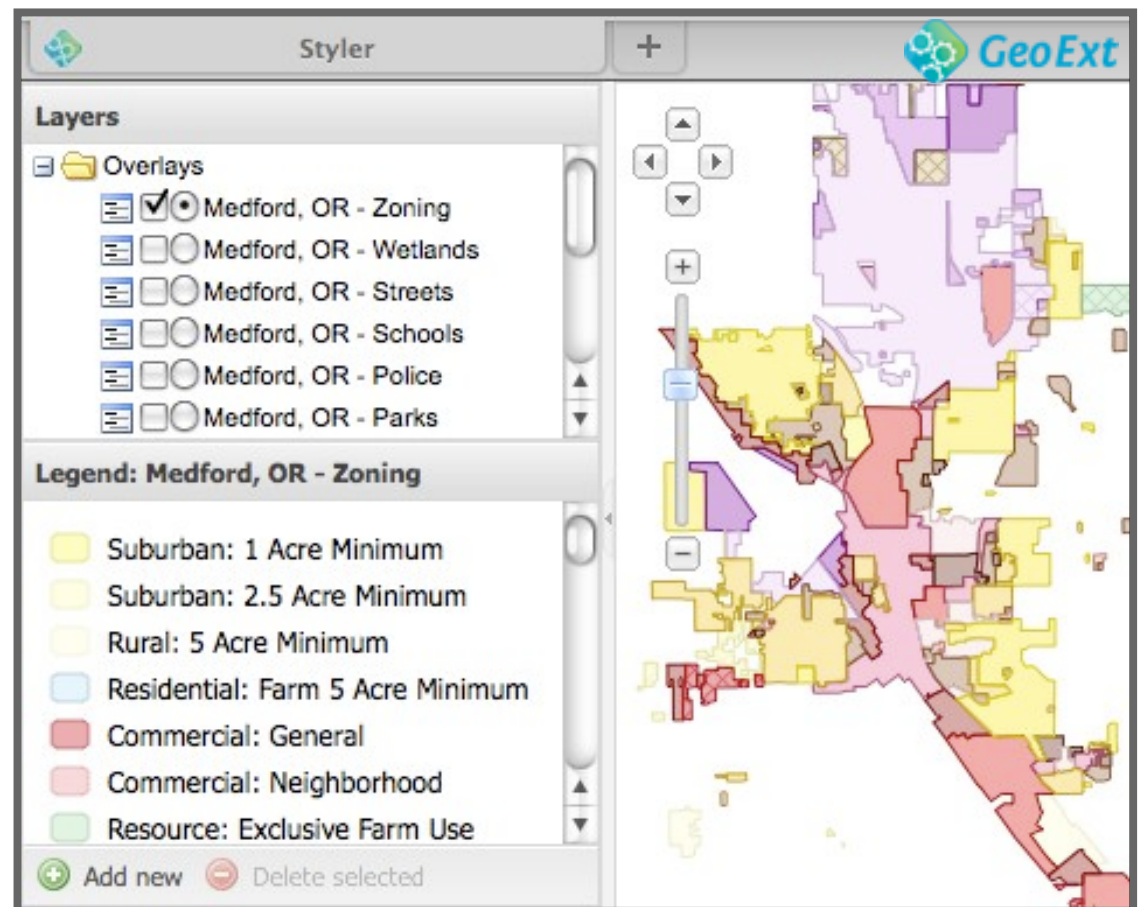


- Labels
 - curved labeling
 - repetition
 - wrapping
 - displacement
- Dynamic symbolizers
 - hatched fills
 - dynamic glyphs
- Resource limits



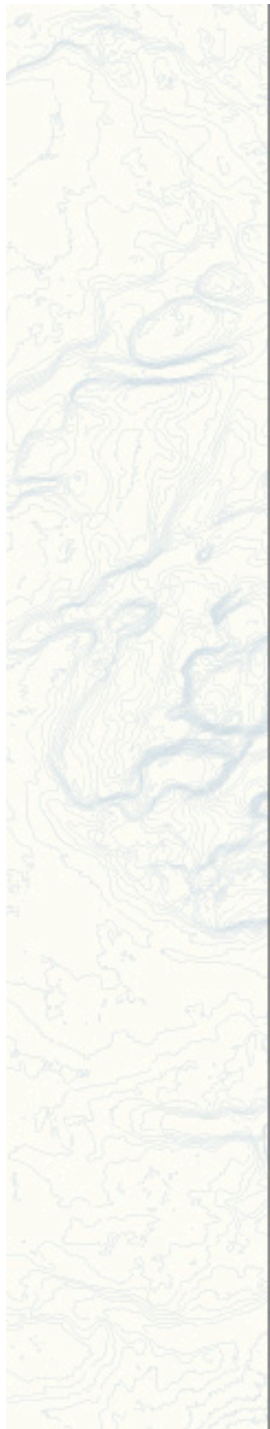
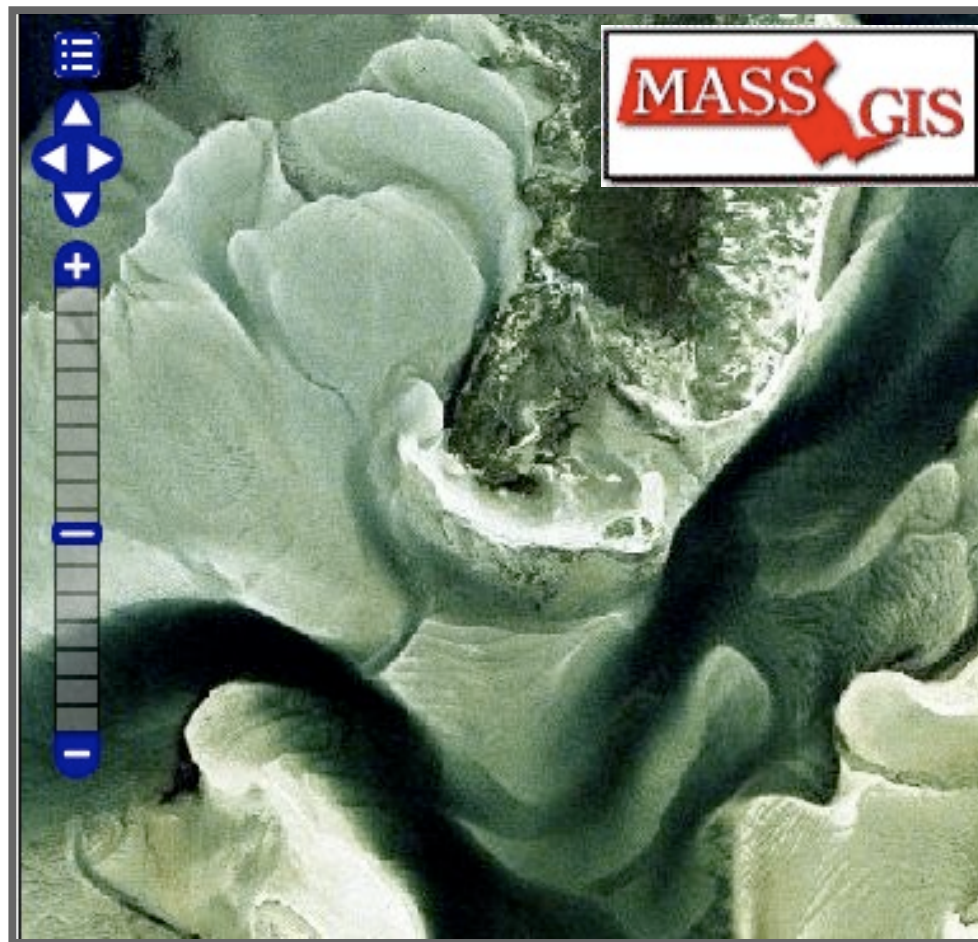
REST

- RESTful configuration
- Styler



ArcSDE Raster

- Arbitrary number of bands and pixel depth
- Color maps
- Raster catalogs



ArcSDE Miscellaneous

- Scalability with sessions
- Multi-version tables
- Geometryless
- JNDI



Rijkswaterstaat
Ministerie van Verkeer en Waterstaat

Raster Improvements

- GDAL support
 - more formats
 - robust bindings
- Mosaics
 - automated index creation
 - transparency
- Coverage rendering



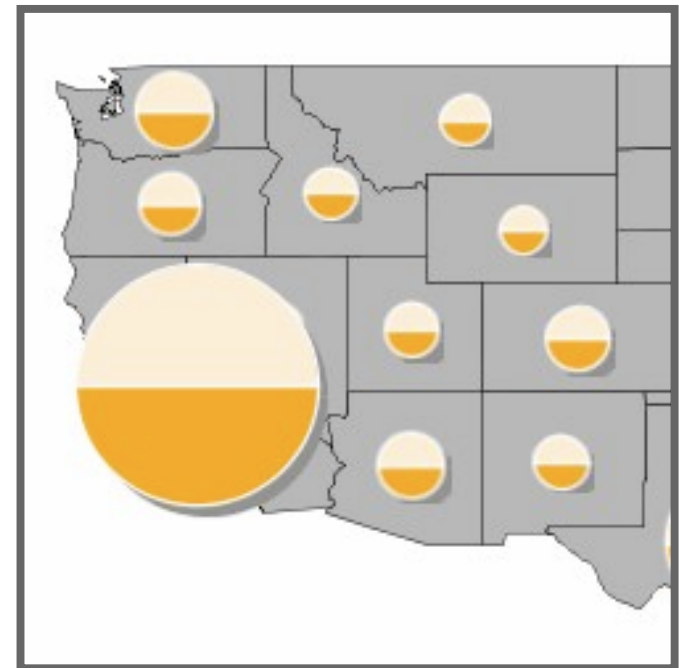
A vertical decorative strip on the left side of the slide, featuring a topographic map with contour lines and a light blue color scheme.

Databases

- “NG” architecture
 - security
 - performance
- Improved PostGIS and Oracle
- SQL Server
- JNDI connections

Extensions

- Tiles and pyramids in the database
- Vector pyramids
- Charts
- HTML image maps



A vertical rectangular strip on the left side of the slide, containing a topographic map with contour lines and a river network, rendered in light blue and green tones.

On the Horizon

- Database configuration storage
- Multi-dimensional coverages
- Service profiles
- Web Processing Service
- Scripting

Thanks!

<http://geoserver.org>

Questions?

